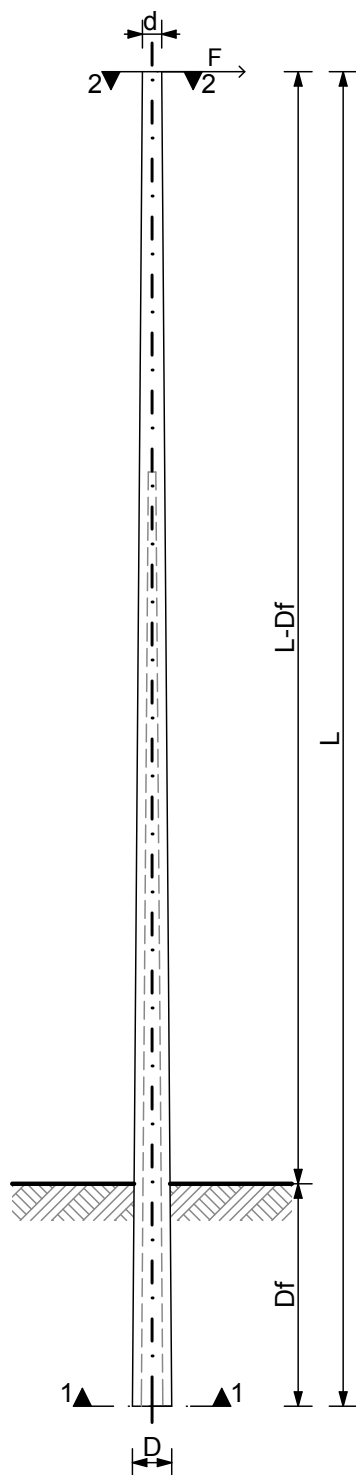
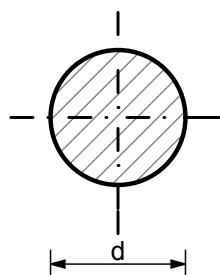


ARMIRANO BETONSKI STUBOVI 9/F

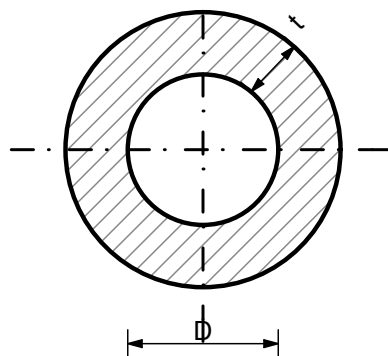


presek 2-2



r.br.	tip stuba	L _(m)	D _(cm)	d _(cm)	t _(cm)	D _{f(cm)}	F _(daN)	m _(kg)
1	9/250	9	26.5	13	6	150	250	590
2	9/315	9	26.5	13	6	150	315	590
3	9/400	9	38	20	8	150	400	1190
4	9/630	9	38	20	8	150	630	1190
5	9/1000	9	38	20	8	150	1000	1190
6	9/1250	9	38	20	8	150	1250	1190
7	9/1600	9	38	20	8	150	1600	1190
8	9/2000	9	38	20	8	150	2000	1190

presek 1-1



KONTAKT

Za tehnička pitanja: tel/fax: 018/886 000; 063/445 601; 063/485 018; www.zocagradnja.com; e-mail: office@zocagradnja.com
Komercijala: Plamen IN company; Homoljska br.10; 18000 Niš; tel: 018/533 283; 018/533 284